



RISHABH

# Data Sheet

## Cam Switch Reverse Forward



Rishabh's New Cam Switch 63A Reverse Forward offers a wide application in motor controlling with maximizing the benefits and optimizing your use of assets.

- Cam switch 25A Reverse Forward
- Cam switch 40A Reverse Forward
- Cam switch 32A Reverse Forward
- Cam switch 63A Reverse Forward



Measure



Control



Record



Analyze



Optimize

### Product Features

#### Compact Size:

Different contact design, contact material & terminal allows us to make them compact.

#### Reliable Design:

These switches are tested in various laboratories as per National and International standards for performance and user safety.

#### Quick & Easy to Install:

Self Lifting clamp screw across terminals makes installation quick and easy.

#### Safer Design:

Knob cover for knob screw to avoid direct metal contact. Higher rating wire can be used across terminals because of larger space for lugs in 63A Reverse Forward switch.

#### Ingress Protection:

Ip50 Class of protection from front for user safety during normal operation



### Application

This switches have wide application in motor control for Forward Reverse of motor with 2pole & 3pole option.

### Product Ranges

Sr.No.	Motor	Angle	Ampere Rating				No.of Stack
			25A	32A	40A	63A	
1	2Pole	45D	✓	✓	✓	✓	2
		60D	✓	✓	✓	✓	
2	3Pole	45D	✓	✓	✓	✓	3
		60D	✓	✓	✓	✓	



Measure



Control



Record

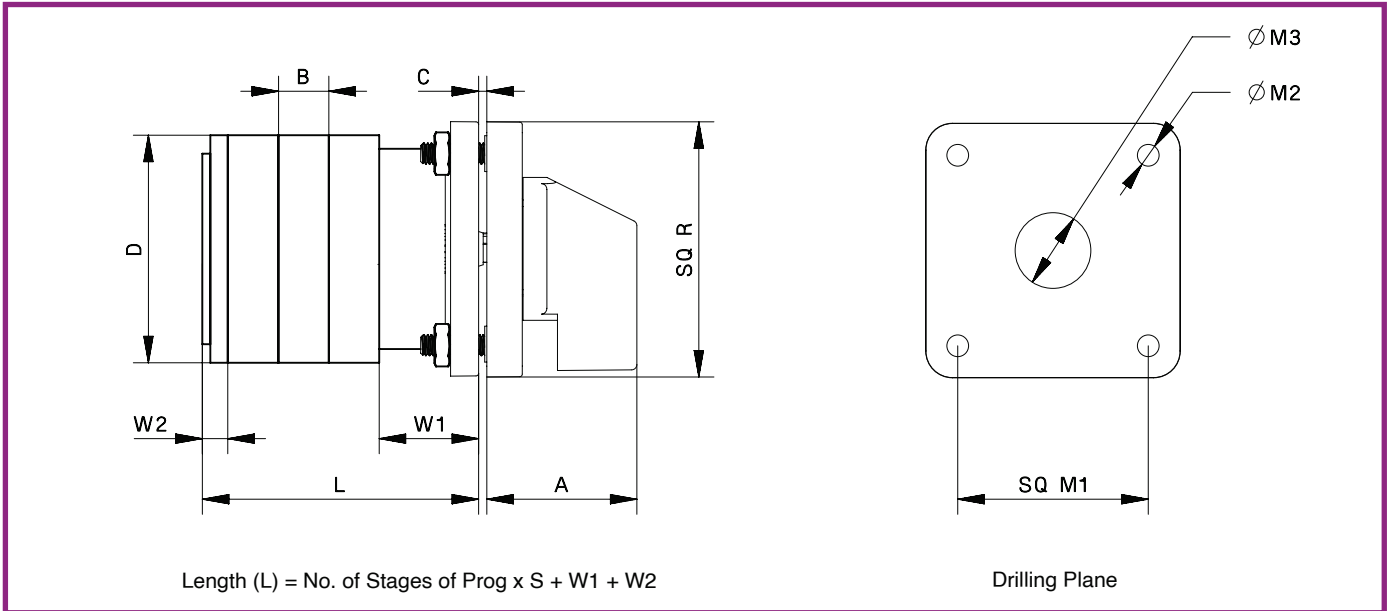


Analyze



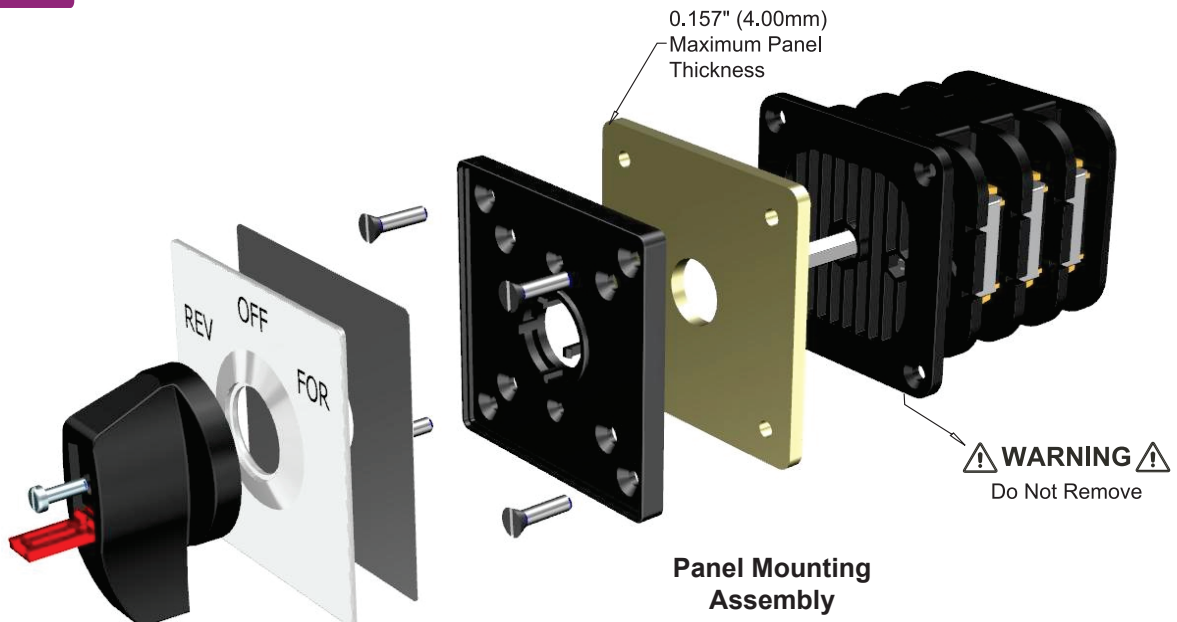
Optimize

### Rotary Cam Switches Dimensional Details



TYPE	A	B	C <sub>(Max.)</sub>	D	L	M1	M2	M3	R	W1	W2
Rish Cam 25A Reverse Forward	34	15	4	53	73	48	4	12	64	24	6
Rish Cam 32A Reverse Forward	34	15	4	53	73	48	4	12	64	24	6
Rish Cam 40A Reverse Forward	34	15	4	53	73	48	4	12	64	24	6
Rish Cam 63A Reverse Forward	42.4	30	4	72	96	68	5.5	18	88	19.5	13.5

### Installation



All the dimensions are in mm.



Measure



Control



Record

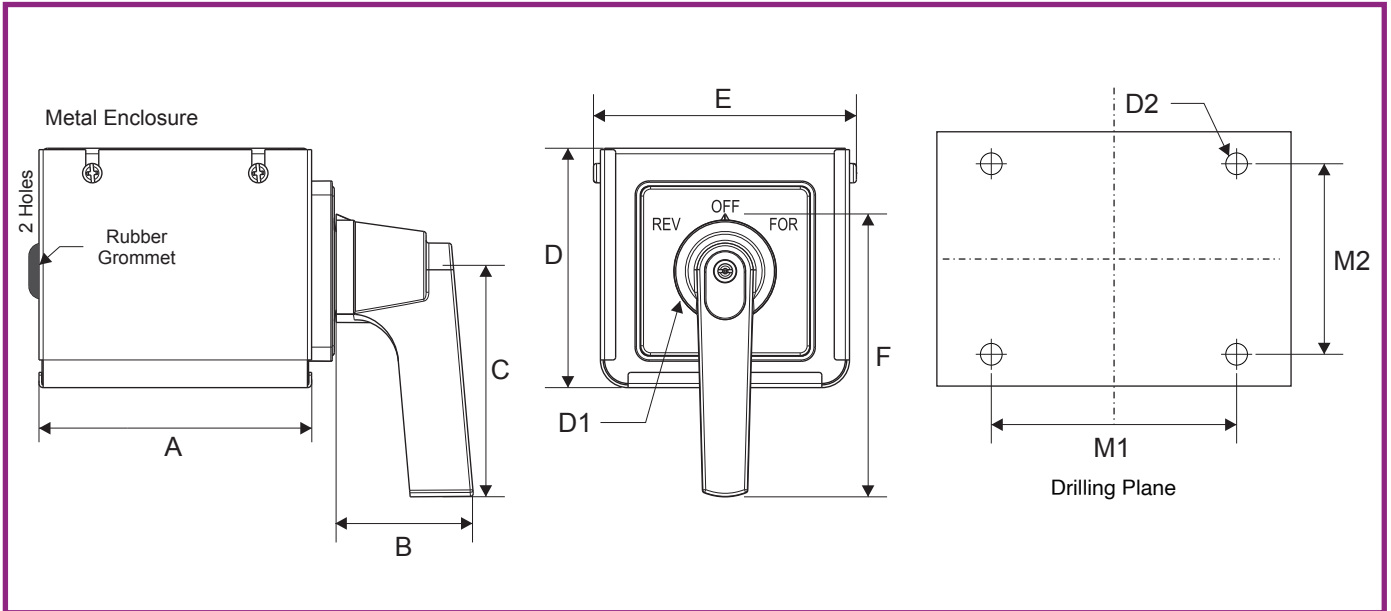


Analyze



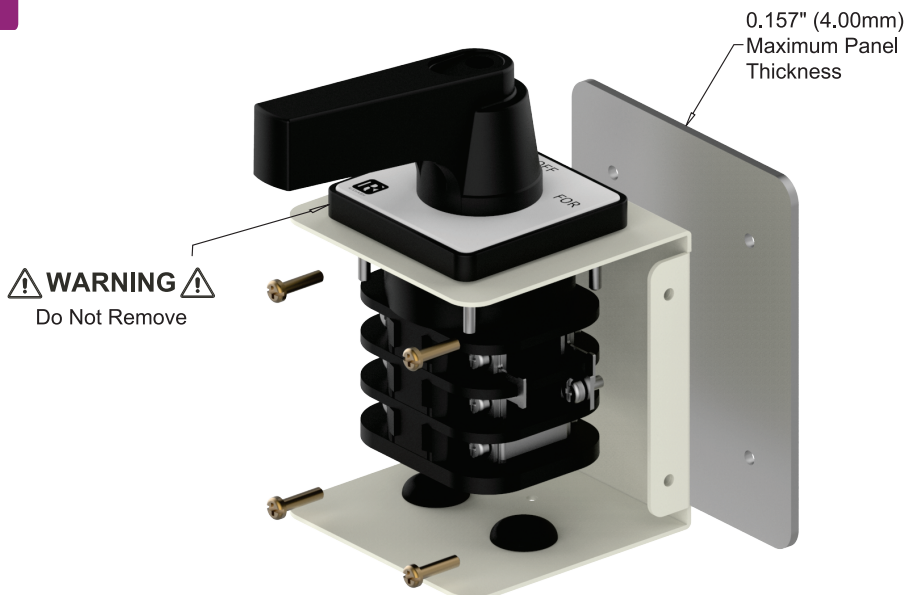
Optimize

### Rotary Cam Switches Dimensional Details



TYPE	A	B	C	D	E	F	T <sub>(Max.)</sub>	M1	M2	D1	D2
Rish Cam 25A Reverse Forward	98.5	49.5	81.5	86.5	90	102.5	4	70	62	37	6
Rish Cam 32A Reverse Forward	98.5	49.5	81.5	86.5	90	102.5	4	70	62	37	6
Rish Cam 40A Reverse Forward	98.5	49.5	81.5	86.5	90	102.5	4	70	62	37	6
Rish Cam 63A Reverse Forward	98.5	49.5	81.5	86.5	90	102.5	4	70	62	37	6

### Installation



**Panel Mounting Assembly**

All the dimensions are in mm.



Measure



Control



Record



Analyze



Optimize



### Technical Data

Conformance to standards :		Operating Conditions :		Switch Life :		
European : IEC 60947-1 IEC 60947-3 IEC 60947-5		Frequency : 50/60 Hz Operating Temp. :-25 °C to 60 °C Over voltage category : III Storage : -40°C to 80°C Max. Altitude : 2000 m IP: 50 Front		Mechanical Life : 1 Lac operations @ 300 Cycles/hr Electrical Life : 10,000 operations @ 100% Rated duty at 120 cycles/hr Contacts : Double break type AgNi Double break type AgCdO		
Parameter		Unit	25A	32A	40A	63A
Rated operational voltage (Ue)		V	690	690	690	690
Rated Insulation voltage (Ui)		V	690	690	690	690
Rated operational current (Ie)		A	25	32	40	63
rated uninterupted current (Ith)		A	32	40	50	80
Rated short time withstand current (Icw)	(1s- Current)	KV	6	6	6	6
Rated Impulse withstand voltage (Uimp)		A	300	384	480	756
Rated Fuse short circuit current		KA	10	10	20	20
Fuse size (Type gG /gM)		A	25	32	50	63
AC23A 3phase	220-240V	KW	4.7	5.5	7.5	11
	380-440V	KW	7.5	11	15	18.5
	500V	KW	11	15	18.5	22
	660-690V	KW	11	15	18.5	22
AC23A 1phase	110V	KW	1.5	2.2	2.2	3
	220-240V	KW	3	3.7	5.5	7.5
	380-440V	KW	5.5	7.5	7.5	11
AC3 3phase	220-240V	KW	4.7	5.5	7.5	11
	380-440V	KW	7.5	11	15	18.5
	500V	KW	11	15	18.5	22
	600-690V	KW	11	15	18.5	22
AC3 1phase	110V	KW	1.5	2.2	2.2	3
	220-240V	KW	3	3.7	5.5	7.5
	380-440V	KW	5.5	7.5	7.5	11
AC21A/AC1		A	25	32	40	63
AC15	220-240V	A	8	14	16	-
	380-440V	A	5	6	7	-
Terminal cross -section						
Single / Multiple	Min	mm2	2.5	2.5	4	4
	Max	mm2	4	6	10	16
Fine strand with sleeve	Min	mm2	1.5	1.5	2.5	2.5
	Max	mm2	4	4	6	10
Terminal screw		Metric	M4	M4	M4	M5
Terminal tightening torque		Nm	1.2	1.2	1.2	1.2

\* Rated short time withstand current (0.5s- current)



Measure



Control



Record



Analyze

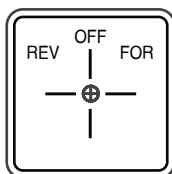


Optimize

### Ordering Information

<b>CRFX</b> CRF1 - Momentary R/F CRFM - R/F with Metal housing	X	XX	X	X	XX	X	X	X	X	XX
<b>Ampere Code</b> 25A 32A 40A 63A	D E F G									
<b>Positioning Angle</b> 45 Degree 60 Degree		45 60								
<b>Rotation Angle</b> Less than 360 Degree rotation angle			L							
<b>Pole</b> 2 Pole 3 Pole				2 3						
<b>No.of Ways</b>					XX					
<b>With Off</b>						O				
<b>Knob Shape</b> Flang Shape Pistol Grip							F L			
<b>Front Plate Colour</b> Silver Sheet & Black Knob Yellow Sheet & Red Knob								S Y		
<b>Blank</b>									0	
<b>Customer Specification</b>										00

Note: The current rating options (6A, 10A, 16A, and 20A) are available



Sr. No.	Ordering Code	Description
1	CRF1-G60L3XXOFS000	Reverse Forward Switch 3P 60D 63A
2	CRFM-D60L2XXOLS000	Metal Housing Reverse Forward Switch 2P 60D 25A



Measure



Control



Record



Analyze



Optimize



RISHABH



Measure



Control



Record



Analyze



Optimize

## RISHABH INSTRUMENTS LIMITED

Domestic (India): +91 253 2202099 | [marketing@rishabh.co.in](mailto:marketing@rishabh.co.in)  
International: +91 253 2202004/06/08/99 | [global@rishabh.co.in](mailto:global@rishabh.co.in)  
[www.rishabh.co.in](http://www.rishabh.co.in)